

LA-025-1100 Universal ATR

Fast and Easy IR Sampling



- *Easy & fast sampling*
- *High IR throughput*
- *Solids*
- *Liquids*
- *Polymer and rubber*
- *Pasts and gels*
- *High pressure clamp*

LA-025-1100 series are universal ATR sampling accessories for analysing solids, polymer, rubber, powders, liquids, pastes and gels. With high IR throughput, they are ideal for sample identification and QA/QC applications. Easily changeable crystal plate design provides analysis of a broad spectrum of sample types while ensuring constant sampling path length. In the optical design, the ATR crystal both focuses the IR beam and provides the ATR sampling interface. This technology provides much higher throughput than competitive products and saves you considerable time and provides you higher quality spectra.

Features

- Single reflection ZnSe crystal plate installed
- High IR throughput
- Sampling for solid, polymer, rubber, powder, liquid, paste and gel
- Also configurable with Ge, Dimond and Si crystal plates
- High pressure lamp with a maximum pressure of 18kg (40 lbs)
- Crystal diameter of 1.8mm with a pressure of 10,141PSI
- Swivel, flat and concave tips for various types of samples
- Liquids sampling accessories



ZnSe single reflection crystal plate

Crystal plate

| Crystal plate | Application | Hardness (kg/mm ²) | Cutoff cm ⁻¹ Spectral range | Refractive index @1000cm ⁻¹ | Depth of penetration @45° (µm) | pH Range of sample |
|---------------|-----------------|--------------------------------|---|--|--------------------------------|--------------------|
| ZnSe | General purpose | 120 | 520 | 2.4 | 2.00 | 5 - 9 |

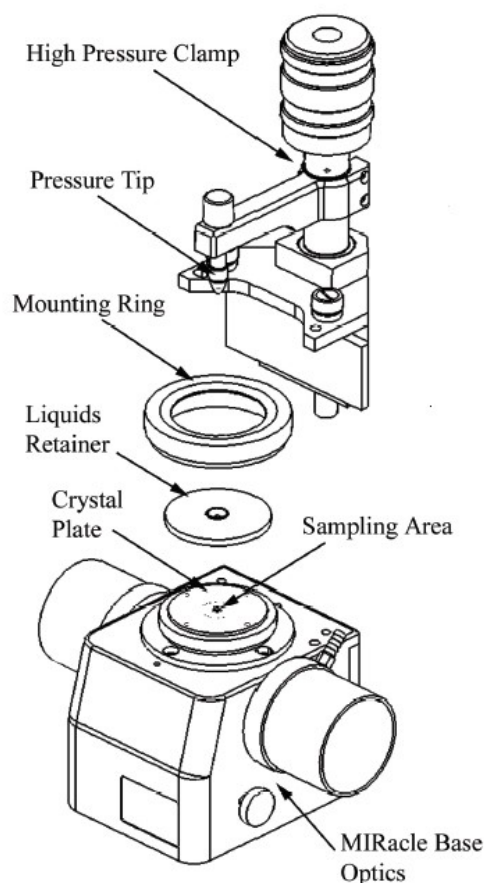
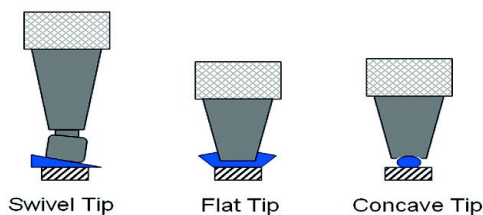
Optional crystal plates:

- Ge crystal plate
- Diamond crystal plate
- Si crystal plate

High pressure clamp

High pressure clamp consist of the base which attaches directly to the accessory's top plate. Pressure clamp is pinned in place and easily changeable within seconds. The clamp includes tips for hard, soft and pellet shaped samples. Ability to deliver high pressure is very important for achieving spectral quality. It utilizes a slip-clutch mechanism to prevent excessive pressure from being applied to the crystal.

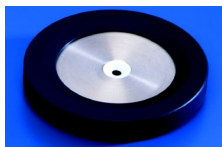
- Maximum pressure of 18kg (40 lbs)
- Crystal diameter of 1.8mm with a pressure of 10,141PSI



Exploded view of ATR with High Pressure Clamp

Other accessories included

Liquids metal plate with insert



Volatile cover for liquid measurement

